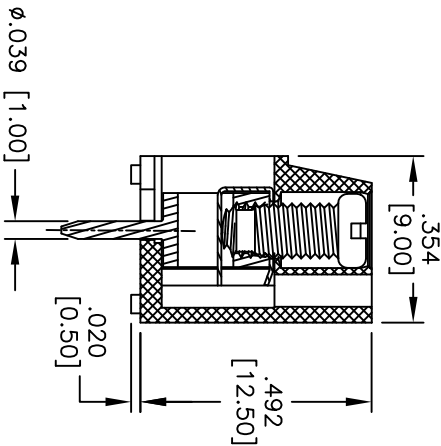
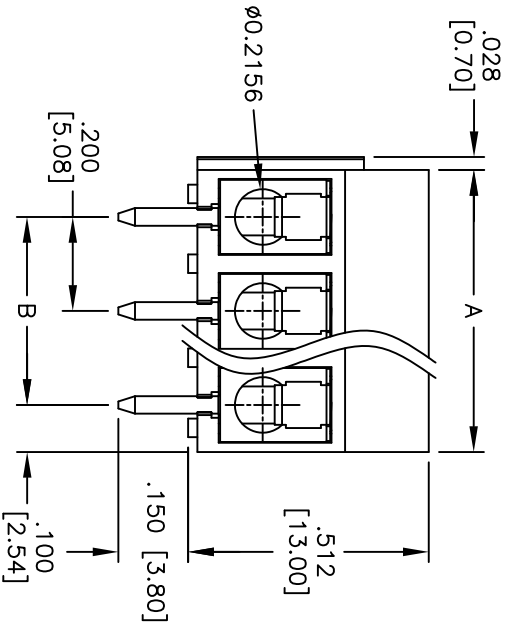
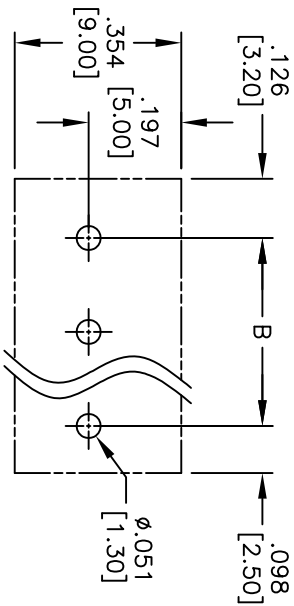
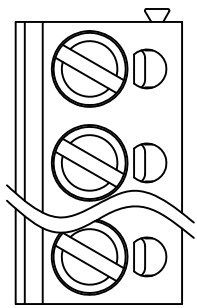


Rev	AWO #	Description	Date	Appr
-		RELEASED	6/08/11	

APPROVED: _____
 DATE: _____ TITLE: _____



A = .200 [5.08] x No. of Positions
 B = .200 [5.08] x No. of Spaces

SPECIFICATIONS:

- Material: Insulator: Thermoplastic, rated UL 94V-0
- Insulator color: Blue
- Terminal: Brass, Tin plated
- Wire guard: Stainless steel
- Screw: Steel, M3/Zn plated.
- Electrical:
 - Operation voltage: 300VAC
 - Current rating: 15A
 - Withstanding voltage: 1.6KV
- Mechanical:
 - Torque: 3.5 Lb-In
 - Solid wire: 14-22 Awg.
- Environmental:
 - Operating temperature: -40°C to +115°C
 - Lead free, RoHS compliant.
 - Recommended soldering temp: 235°C for 5 sec.



UNLESS OTHERWISE SPECIFIED	
ALL DIMENSIONS ARE MM [INCHES]	
TOLERANCES: EXCEPT AS NOTED	
INCHES	HOLDS
.X ± .10	ØXX ± .10
.XX ± .020	ØXXX ± .015
.XXX ± .015	ØXXXX ± .010
APPROVALS	DATE
DRAWN	DY
CHECKED	
APPROVED	

ADAM TECH
 909 Rahway Avenue, Union, NJ 07083
 Phone: 908-687-5000 Fax: 908-687-5710

TITLE: EURO BLOCK, VERTICAL, PCB TYPE
 .200 [5.08] PITCH, COLOR BLUE

SIZE	PART NO.	REV.
X	EBA-XX-D-BU-01	-
REF: S00007T	SCALE: NTS	SHEET 1 OF 1